

Model 295SL Series

ELECTRONIC SIRENS WITH SCAN-LOCK™ SIREN TONES



Maximum warning protection using minimal space.

Economically priced. Full function siren plus radio repeat and public address. Operates up to two 100 watt speakers. Includes Hands-Free operation and Scan-Lock™ siren tones. Self-contained unit for under-dash mounting. Two models to choose from; hard-wired microphone or removeable microphone with a volume control knob. Two year warranty. Backward compatible to the original 295HF100 and WS2100 Series connector.

FEATURES

- 17 Scan-Lock™ Siren Tones to choose from (Pat. # RE38,795). The 295SL allows for user selectable siren tones via momentary recessed switch, located on the rear of the unit. Choose the placement of each siren tone on rotary knob for complete user customization.
- Economical six function siren plus radio repeat and public address.
- Meets California & SAE specifications, SAE J1849 & California Title 13.
- Model 295SL100 operates up to two 100-watt speakers.
- "Hands-Free" operation. Turn On/Off and access all three siren tones (default Wail, Yelp and Piercer™) without taking hands from steering wheel.
- Two manual functions allow for additional siren tone choices when you need it the most.
- PTT (push to talk) switch on microphone overrides all siren functions.
- Combination On/Off and horn ring transfer switch.
- Pre-wired unidirectional microphone.
- Optional plug-in microphone with volume control knob.
- Adjustable preset microphone volume.
- Adjustable preset radio repeat volume.
- Input polarity protection.
- Output short circuit protection.
- External spade-type fuse.
- Bi-polarity horn/ring control activation.
- "Aux Enable" activates siren tones via input (slide switch, power controls or relay-to-ground connection).
- Quick disconnect plug for ease of service or replacement.
- Adjustable bail bracket allows the mounting of the siren in a variety of positions.
- Complements all Whelen's under dash products.

- Backward compatible to the original 295HF100 and WS2100 Series connector.
- Optional 24 volt DC model available, contact factory.

MODEL 295SL100

12vdc hard wired microphone

MODEL 295SL101

12vdc removable microphone with volume control knob

Dimensions:

Height 2-1/2" H (63mm) x 6" W (152mm) x 5-1/2" D (138mm).

Weight: 3.2 lbs. (1.45kg).

OPTIONS:

PA300CBL: Interconnect cable for adapting 295SL100 to PA300 wiring harness.

WPKM1: Park Kill Connection modules, 30 Amp.



All Whelen Products
are proudly made
in the U.S.A.

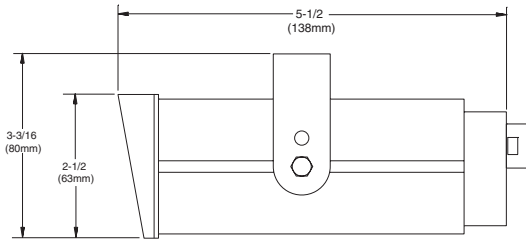
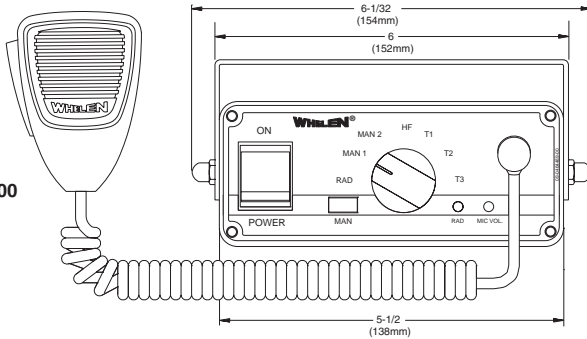
WHELEN®

Engineers for the Emergency Warning Industry

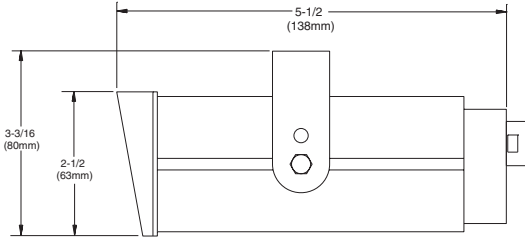
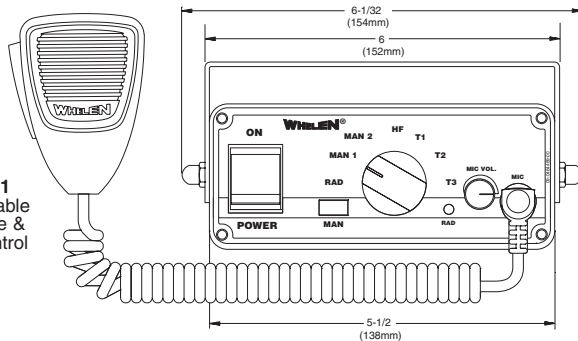
Form#SL100907

295SL SERIES SPECIFICATIONS

295SL100



295SL101
with removable
microphone &
volume control
knob



HANDS-FREE, T1, T2, & T3

Tone-Off
Wail
Yelp
Piercer
Y-249 (Yelp 249)
Hi/Low
Simulated Mechanical
Pulsed Airhorn
Airhorn Hi/Low
Woop
Warble

Wail, Yelp & Y-249 are California
Title-13 Compliant Siren Tones.

OVERRIDE FOR T1, T2, & T3

Tone-Off
Wail
Yelp
Piercer
Y-249 (Yelp 249)
Hi/Low
Simulated Mechanical
Pulsed Airhorn
Airhorn Hi/Low
Woop
Warble
Airhorn
Low Frequency Airhorn

For MAN1 & MAN2 Operation

Tone-Off
Simulated Mechanical Coast-to-Stop
Simulated Mechanical Stop
Wail Coast-to-Stop
Wail Stop
Airhorn
Low Frequency Airhorn

INPUT VOLTAGE	10-16 VDC
POLARITY	Negative ground
POLARITY PROTECTION	Diode / Fuse
OUTPUT POWER	(2) 100 Watt Speakers
OUTPUT LOAD	Two 11 OHM Speakers
INPUT CURRENT	0 MA (OFF)
STANDBY CURRENT	100 MA (max) (backlight off)
BACKLIGHT CURRENT	150 MA (max)
OPERATING CURRENT	16 AMPS (max)
FUSE20 AMP auto fuse
FUSE MOUNTING	Rear Panel
OUTPUT SHORT PROTECTION	Fuse
AUDIO FREQUENCY RANGE	300Hz - 10000Hz +/-3dB
DISTORTION	<5% @ 1KHz @ 25 Watts
RADIO INPUT IMPEDANCE	1500 OHMS
HORN / RING CONTROL	+/- 12 VDC or ground
OPERATING TEMPERATURE	-30 / +80 Degree C
OPERATING HUMIDITY99% non condensing
CONNECTOR	12 pin AMP Mate-N-Lok®, 24" pigtail wires



Route 145, Winthrop Road
Chester, Connecticut 06412-0684
(860) 526-9504 • Fax: (860) 526-4078
www.whelen.com



Whelen Engineering
reserves the right to
upgrade and
improve products
without notice.